

Single Board Computer - based on PC/104 Standard

IPC/NETIPC-4



- High reliability
- Low power consumption
- Fanless operation
- Onboard connectivity
- Onboard memory
- Maintenance-free
- Extended temperature



Features

System

- Industrial 486 Processor
- up to 800MHz clock frequency
- RAM onboard soldered
- Flash ROM Drive
- Socket for SRAM, NV-RAM
- Socket for CompactFlash
- Graphic resolution up to SXGA
- Ethernet, USB
- RS232

Industrial specific properties

- Real Time Clock
- Watchdog
- Temperature supervision
- Flash BIOS
- ESD-protection on all interfaces
- No active cooling required
- Extended temperature -40°C~85°C

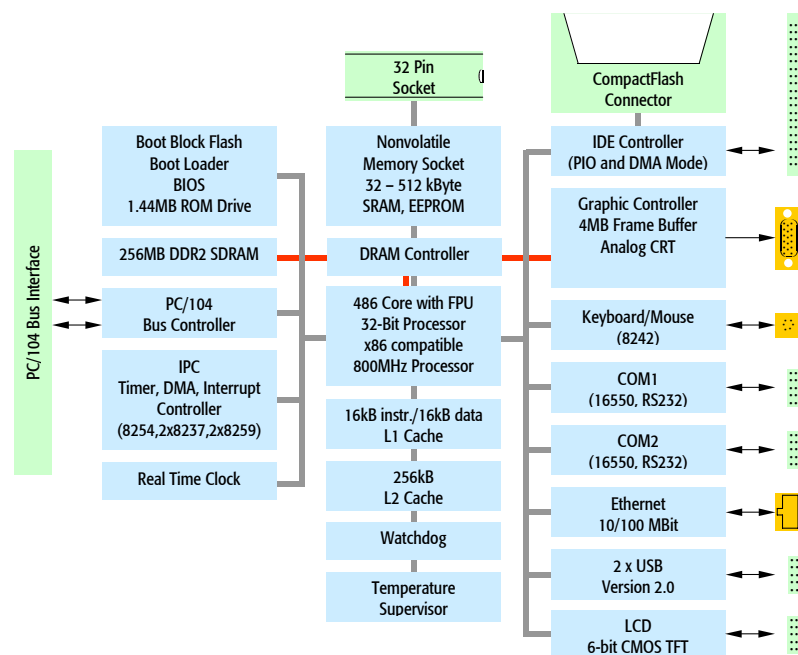
Supported Operating Systems

- Windows CE
- Linux
- VxWorks
- OS-9
- MS-DOS, RTX-DOS 16/32
- RTKernel 16/32, RTOS32
- others on request

Tests/Certifications

- Vibration and Shock
- EMV
- ESD
- 72 hours Burn-In

Blockdiagram IPC/NETIPC-4A



Specifications and Order Information

Order Code	IPC/NETIPC-4A ⁴	IPC/NETIPC-4AE ⁴	IPC/NETIPC-4AD ⁴	IPC/NETIPC-4ADE ⁴
Standard Temperature Range	•		•	
Extended Temperature Range		•		•
Processor / Performance				
Vortex86DX 800MHz with integrated floating point unit	•		•	
Vortex86DX 600MHz with integrated floating point unit		•		•
Memory				
32 kB L1 Cache (16kB instruction / 16kB data)	•	•	•	•
256kB L2 Cache	•	•	•	•
256MB DDR2 SDRAM	•	•	•	•
128MB to 512MB DDR2 SDRAM	opt.	opt.	opt.	opt.
1,44MB Flash ROM Drive	•	•	•	•
32 Pin Socket for SRAM,NV-RAM, EEPROM, DiskOnChip ¹	•	•	•	•
Socket for CompactFlash IDE Mode (Typ-1)	•	•	•	•
Peripherals				
Graphic Controller up to 1280x1024 resolution (DSUB15)	•	•		
6-bit LCD Interface (CMOS TFT Panels)	•	•	•	•
IDE Interface Standard (1 Master, 1 Slave)	•	•	•	•
Mouse/Keyboard PS/2	•	•	•	•
PC/104 Bus Interface	•	•	•	•
Real Time Clock PC compatible	•	•	•	•
Watchdog (configurable 100ms or 1.6s)	•	•	•	•
Temperature supervisor	•	•	•	•
Communication Interfaces				
USB Version 2.0 (high, full or low speed)	2	2	2	2
Ethernet 10/100 Mbit	1	1	1	1
RS232 ESD protected (16550A)	2	2	2	2
Technical Data				
Dimensions w100x h20 x d125 mm (Connector View) ²	•	•	•	•
Max. Power Consumption in Watt @ 5V	6	6	6	6
Operating Temperature (ambient) 0°C to +70°C	•		•	
Operating Temperature (ambient) -40°C to +85°C ³		•		•
Storage Temperature -40°C to +90°C	•	•	•	•
Shock: designed to meet EN60068-2-27	•	•	•	•
Vibration: designed to meet EN60068-2-6	•	•	•	•
EMI-Conformity EN-55022/55024/61000-6-2/61000-6-4	•	•	•	•
User Documentation				
DOC/IPC_NETIPC4-E.pdf	•	•	•	•

¹ For DiskOnChip, EEPROM support please contact factory

² Non standard PC/104 mechanical dimensions

³ On component level

⁴ Product NOT released yet, consult factory for further information