



Industrial Compact PC based on PC/104 Standard

IPC/COMPACT6 "XS-Family"



- Smallest compact device
- Rugged
- Maintenance-free
- Long term available
- No rotating parts
- DIN rail mounting
- No cables inside



Features

System

- **Industrial x86 Processor**
- up to 600MHz
- DDR-SDRAM on Board
- Flash ROM Drive
- Socket for SRAM, NV-RAM
- Socket for CompactFlash
- Graphic resolution up to UXGA
- Ethernet, USB, PS/2
- RS422/485, RS232, CAN

Industrial specific properties

- Real Time Clock
- Watchdog
- Temperature supervisor
- Flash BIOS
- Socket for battery buffered Memory
- ESD-protection on all interfaces
- DIN Rail Mounting
- No active cooling required
- 24V Power Supply Voltage

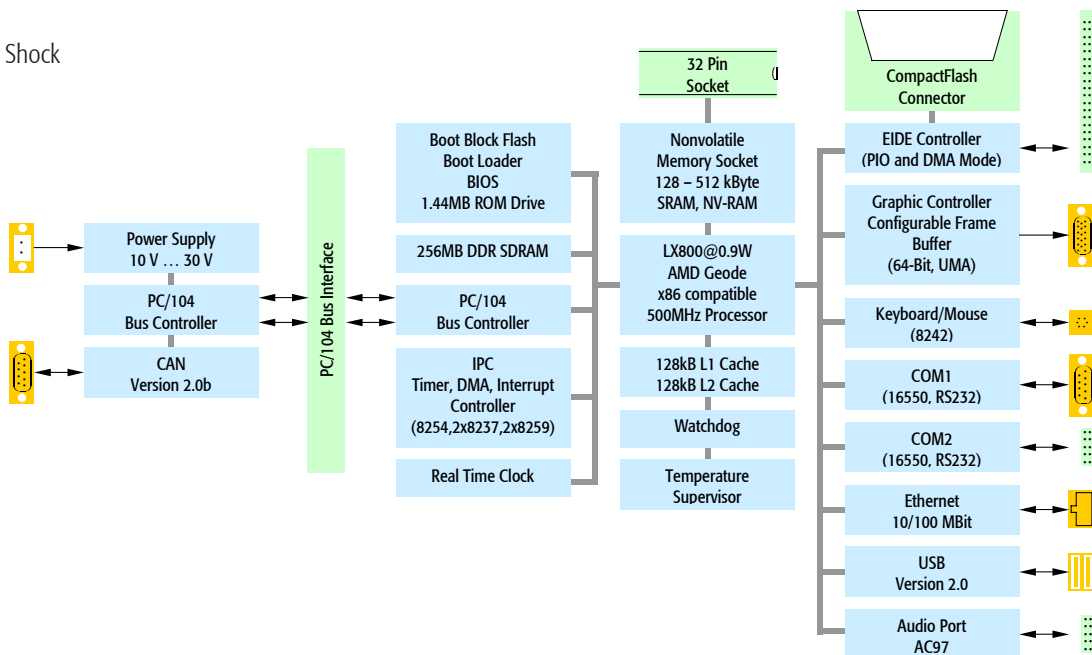
Operating Systems

- Windows XP embedded
- Windows NT embedded
- Windows CE
- Linux
- VxWorks
- OS-9
- MS-DOS, RTX-DOS 16/32
- RTKernel 16/32
- others on request

Tests/Certifications

- CE
- Vibration and Shock
- EMV
- ESD
- Burn-In

Blockdiagram IPC/COMPACT6-1F



Specifications and Order Information

Order Code	IPC/COMPACT6-1E	IPC/COMPACT6-1F	IPC/COMPACT6-1G	IPC/COMPACT6-1E ⁵	IPC/COMPACT6-1F ⁵	IPC/COMPACT6-1G ⁵
Standard Temperature Range						
Extended Temperature Range						
Processor / Performance						
AMD Geode LX700@0.8W 433 MHz, 874 MIPS ¹				•	•	•
AMD Geode LX800@0.9W 500 MHz, 1000 MIPS	•	•	•			
AMD Geode LX900@1.5W 600 MHz, 1200 MIPS ¹						
Memory						
128 kB L1 Cache (64kB instruction / 64kB data)	•	•	•	•	•	•
128 kB L2 Cache	•	•	•	•	•	•
128 MB DDR333 SDRAM ¹				•	•	•
256 MB DDR400 SDRAM	•	•	•			
512 MB DDR400 SDRAM ¹						
1,44MB ROM Floppy emulation	•	•	•	•	•	•
32 Pin Socket for SRAM,NV-RAM, EEPROM ² , DiskOnChip ²	•	•	•	•	•	•
Socket for CompactFlash IDE Mode (Type I)	•	•	•	•	•	•
Peripherals						
Graphic Controller up to 1920x1440 resolution	•	•	•	•	•	•
IDE Interface Standard (1 Master, 1 Slave)	•	•	•	•	•	•
Mouse/Keyboard PS/2	•	•	•	•	•	•
PC/104 Bus Interface ³	•	•	•	•	•	•
Real Time Clock PC compatible	•	•	•	•	•	•
Watchdog	•	•	•	•	•	•
Temperature supervisor	•	•	•	•	•	•
Audio Port (AC97) ³	•	•	•			
Communication Interfaces						
USB Version 2.0 (high or full speed)	2	2	2	2	2	2
Ethernet 10/100 Mbit (INTEL82551)	1	1	1	1	1	1
RS232 ESD protected	2	2 ⁴	2 ⁴	2	2 ⁴	2 ⁴
RS422/485 ESD protected, isolated			1			1
CAN Version 2.0b, SJA1000, ESD protected, isolated		1			1	
Technical Data						
Dimensions w109 x h48 x d127 mm (Connector View)	•	•	•	•	•	•
Input Voltage 10...30V	•	•	•	•	•	•
Power Consumption max. in Watt @ 24V without Add-ons	11	12	11	10	11	10
Operating Temperature (ambient) 0° ~ +55° C	•	•	•	•	•	•
Operating Temperature (ambient) -40° ~ +55° C ¹						
Storage Temperature -40° ~ +90° C	•	•	•	•	•	•
Shock: designed to meet EN60068-2-27	•	•	•	•	•	•
Vibration: designed to meet EN60068-2-6	•	•	•	•	•	•
EMI-Conformity EN-55022/55024/61000-6-2/61000-6-4	•	•	•	•	•	•
User Documentation						
System: DOC/COMPACT6-1XSE	•	•	•	tbd	tbd	tbd
CPU: DOC/IPC_NETIPC6-E.pdf	•	•	•	•	•	•
Base Board: DOC/COMPACGP-1EE.pdf	•			•		
Base Board: DOC/COMPACGP-1FE.pdf		•			•	
Base Board: DOC/COMPACGP-1GE.pdf			•			•

¹ Please contact factory for minimum order quantity information

² For DiskOnChip, EEPROM support please contact factory

³ Board connector (internal)

⁴ Second RS232 Interface on internal connector

⁵ Product NOT released yet, consult factory for further information