



# Industrial Compact PC

# IPC/COMPACT6 "SL-Family"



- Smart fanless system
- Stainless steel case
- Rugged, no moving parts
- Maintenance-free
- Long term available
- Dual Ethernet Controller
- DIN rail mounting



## Features

### System

- Industrial x86Processor
- 500MHz
- RAM on Board
- Flash ROM Drive
- Socket for SRAM, DiskOnChip, NV-RAM
- Socket for CompactFlash
- Graphic resolution up to UXGA
- Ethernet, USB
- RS232

### Industrial specific properties

- Real Time Clock
- Watchdog
- Temperature supervision
- Flash BIOS
- Socket for battery buffered Memory
- ESD-protection on all interfaces
- DIN Rail Mounting
- No active cooling required
- 24V Power Supply Voltage

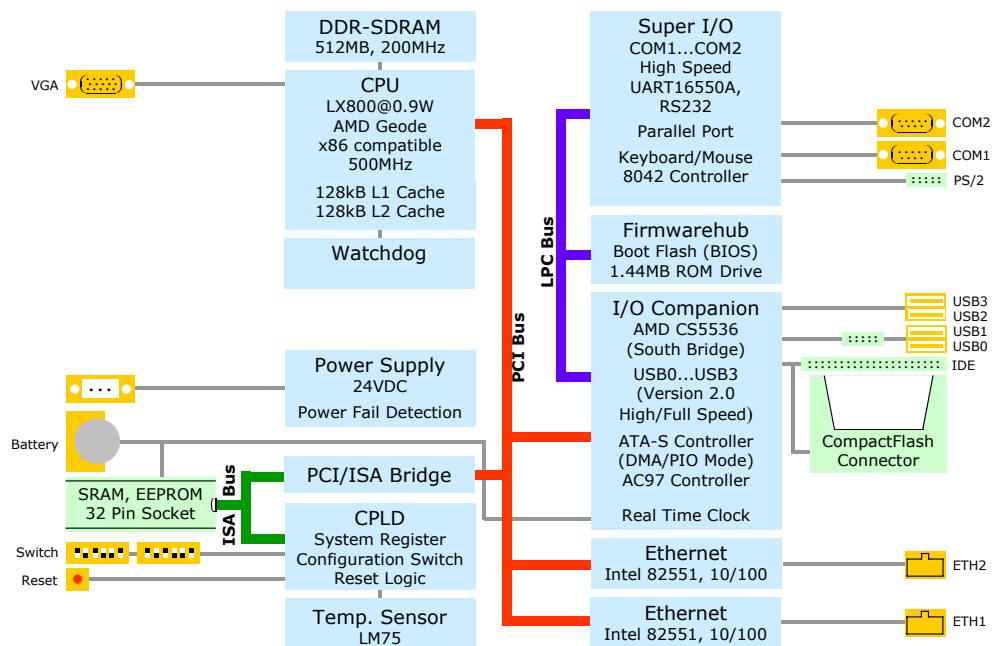
### Operating Systems

- Windows NT embedded
- Windows XP embedded
- Windows CE
- Linux
- VxWorks
- OS-9
- MS-DOS, RTX-DOS 16/32
- RTKernel, RTOS-32
- others on request

## Tests/Certifications

- CE
- Vibration and Shock
- EMV
- ESD
- Burn-In

## Blockdiagram IPC/COMPACT6-1A



## Specifications and Order Information

	Order Code	IPC/COMPACT6-1A					
Standard Temperature Range		•					
Extended Temperature Range							
<b>Processor/Performance</b>							
AMD Geode LX800@0.9W 500 MHz, 1000 MIPS		•					
<b>Memory</b>							
128 kB L1 Cache (64kB instruction / 64kB data)		•					
128 kB L2 Cache		•					
512 MB DDR400 SDRAM		•					
1,44MB ROM Floppy emulation		•					
32 Pin Socket for SRAM,NV-RAM, EEPROM <sup>5</sup> , DiskOnChip <sup>5</sup>		•					
Socket for CompactFlash IDE Mode (Type I)		•					
<b>Peripherals</b>							
Graphic Controller up to 1920x1440 resolution		•					
12" or 15" TFT Panel Interface up to 1600x1200 resolution <sup>1 5</sup>		opt					
PWM Interface <sup>1 5</sup>		opt					
IDE Interface Standard (1 Master, 1 Slave) <sup>1</sup>		•					
Mouse/Keyboard PS/2 <sup>5 6</sup>		opt					
Mouse/Keyboard <sup>1</sup>		•					
Real Time Clock PC compatible		•					
Watchdog		•					
Temperature supervisor		•					
Audio Port (AC97) <sup>1 5</sup>		opt					
Rotary Hex-Switch for user defined configuration		2					
<b>Communication Interfaces</b>							
USB Version 2.0 (high or full speed)		4					
USB Silicon Drive connector <sup>1</sup>		1					
Ethernet 10/100 Mbit (INTEL82551)		2					
RS232 ESD protected		2					
Parallel Interface (LPT) <sup>1 5</sup>		opt					
CAN Version 2.0b, SJA1000, ESD protected, isolated <sup>5</sup>		opt					
<b>Technical Data</b>							
Dimensions w228.6 x h29.5 x d127.1 mm (Connector View)		•					
Input Voltage 10...30VDC non-isolated		•					
Input Voltage 19...30VDC isolated <sup>5</sup>		opt					
Power Consumption max. in Watt @ 24V		10.5					
Operating Temperature (ambient) 0° ~ 55° C		•					
Storage Temperature -40 ~ +90° C		•					
Shock: designed to meet EN60068-2-6		•					
Vibration: designed to meet EN60068-2-27		•					
EMI-Conformity EN-55022/55024/61000-6-2/61000-6-4		•					
<b>User Documentation</b>							
System: DOC/COMPACT6_SLE		•					

<sup>1</sup> Board connector (internal)

<sup>2</sup> Combo-connector, use y-cable, set jumper

<sup>3</sup> COM2 can be configured to RS485

<sup>4</sup> -40°C on component level, system tested down to -25°C

<sup>5</sup> Please contact factory for minimum order quantities

<sup>6</sup> USB3/USB4 only on internal board connector