



# Industrial Compact PC

# IPC/COMPACT6 "ML-Family"



- Multi Interface System
- Rugged
- Maintenance-free
- Long term available
- No rotating parts
- DIN rail mounting
- CAN Fieldbus interfaces
- Expandable (PC/104, PCI/104)



## Features

### System

- Industrial x86Processor
- 500MHz
- RAM on Board
- Flash ROM Drive
- Socket for SRAM, DiskOnChip, NV-RAM
- Socket for CompactFlash
- Graphic resolution up to UXGA
- Ethernet, USB
- RS232, RS485
- PC/104, PCI/104 interfaces

### Industrial specific properties

- Real Time Clock
- Watchdog
- Temperature supervision
- Flash BIOS
- Socket for battery buffered Memory
- CAN interfaces (SJA1000)
- ESD-protection on all interfaces
- DIN Rail Mounting
- No active cooling required
- 24V Power Supply Voltage

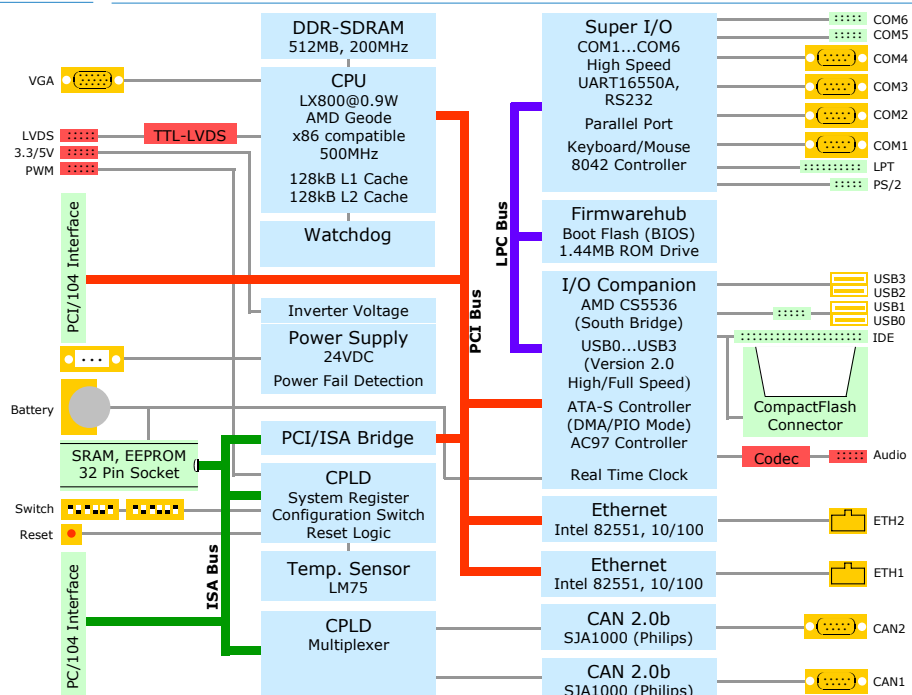
### Operating Systems

- Windows NT embedded
- Windows XP embedded
- Windows CE
- Linux
- VxWorks
- OS-9
- MS-DOS, RTX-DOS 16/32
- RTKernel, RTOS-32
- others on request

## Tests/Certifications

- CE
- Vibration and Shock
- EMV
- ESD
- Burn-In

## Blockdiagram IPC/COMPACT6-2AC



## Specifications and Order Information

	Order Code	IPC/COMPACT6-2A	IPC/COMPACT6-2AC						
Standard Temperature Range	•	•							
Extended Temperature Range									
<b>Processor/Performance</b>									
AMD Geode LX800@0.9W 500 MHz, 1000 MIPS	•	•							
<b>Memory</b>									
128 kB L1 Cache (64kB instruction / 64kB data)	•	•							
128 kB L2 Cache	•	•							
512 MB DDR400 SDRAM	•	•							
1,44MB ROM Floppy emulation	•	•							
32 Pin Socket for SRAM,NV-RAM, EEPROM <sup>5</sup> , DiskOnChip <sup>5</sup>	•	•							
Socket for CompactFlash IDE Mode (Type I)	•	•							
<b>Peripherals</b>									
Graphic Controller up to 1920x1440 resolution	•	•							
12" or 15" TFT Panel Interface up to 1600x1200 resolution <sup>1 5</sup>	opt	opt							
PWM Interface <sup>1 5</sup>	opt	opt							
IDE Interface Standard (1 Master, 1 Slave) <sup>1</sup>	•	•							
PS/2 (Mouse/Keyboard) <sup>5 6</sup>	opt	opt							
Mouse/Keyboard (Header) <sup>1</sup>	•	•							
PC/104 Bus Interface <sup>1</sup>	•	•							
PCI/104 Bus Interface <sup>1</sup>	•	opt							
Real Time Clock PC compatible	•	•							
Watchdog	•	•							
Temperature supervisor	•	•							
Audio Port (AC97) <sup>1 5</sup>	opt	opt							
Rotary Hex-Switch for user defined configuration	2	2							
<b>Communication Interfaces</b>									
USB Version 2.0 (high or full speed)	4	4							
USB Silicon Drive connector <sup>1</sup>	1	1							
Ethernet 10/100 Mbit (INTEL82551)	2	2							
RS232 ESD protected	4	4							
Additional RS232 ESD protected <sup>1</sup>	2	opt							
RS485 ESD protected (optional) <sup>3 5</sup>	opt	opt							
Parallel Interface (LPT) <sup>1</sup>	1	1							
CAN Version 2.0b, SJA1000, ESD protected, isolated		2							
<b>Technical Data</b>									
Dimensions w228.6 x h47.5 x d127.1 mm (Connector View)	•	•							
Input Voltage 10...30VDC non-isolated	•	•							
Input Voltage 19...30VDC isolated <sup>5</sup>	opt	opt							
Power Consumption max. in Watt @ 24V without Add-Ins	12	13							
Operating Temperature (ambient) 0° ~ 50° C	•	•							
Storage Temperature -40 ~ +90° C	•	•							
Shock: designed to meet EN60068-2-6	•	•							
Vibration: designed to meet EN60068-2-27	•	•							
EMI-Conformity EN-55022/55024/61000-6-2/61000-6-4	•	•							
<b>User Documentation</b>									
System: DOC/COMPACT6_MLE	•	•							

<sup>1</sup> Board connector (internal)

<sup>2</sup> Combo-connector, use y-cable, set jumper

<sup>3</sup> COM2/COM4 can be configured to RS485

<sup>4</sup> -40°C on component level, system tested down to -25°C

<sup>5</sup> Please contact factory for minimum order quantities

<sup>6</sup> USB3/USB4 only on internal board connector



IPC/COMPACT6 "ML-Family"